



# S-700 Head Curtain Dock Seal

## SEAL AND SHELTER SPECIFICATIONS

The Serco S-700 Head Curtain Dock Seal will accommodate a variety of trailer heights and is designed for doors that are nine feet tall or over.

### Design Highlights

- Roll-formed Galvanized Steel Framing Warranted for 5 Years Against Rotting, Splitting or Cracking
- Endurance-tested Foam Core is Continuously Bonded to Frame Surface With Flexible, Nonflammable Adhesive
- A Wide Selection of Durable Coated Fabrics Provide Maximum Durability
- Top Of Hood is Tapered Forward And Securely Fastened to Building Wall
- Fiberglass Stays Add Stiffness to Hood Top to Prevent Sagging
- Hood Curtain Splits Offer Load Relief and higher Clearance
- Highly Resilient, Open-celled Polyurethane foam Keeps Original Shape and Compresses easily to Extend Seal Life
- Side Pad Bottoms are Tapered to Avoid Pinching and Wear
- All Pads are Vented for Air And Moisture Release
- Full Length Yellow Stripes Guide Drivers to the Dock

### Project Information

Job Name \_\_\_\_\_  
Address \_\_\_\_\_  
General Contractor \_\_\_\_\_  
Distributor \_\_\_\_\_  
Quantity \_\_\_\_\_  
Voltage \_\_\_\_\_ Phase \_\_\_\_\_

### Certified For Construction

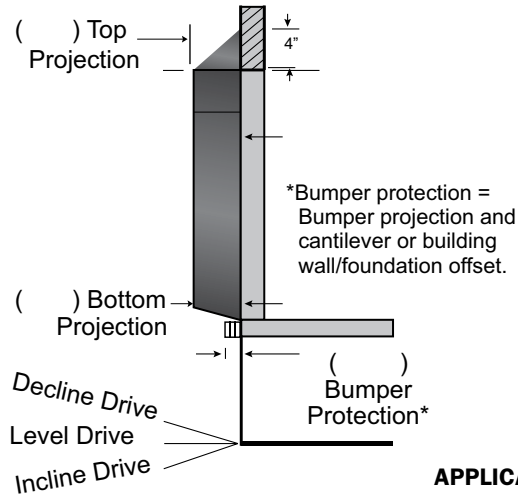
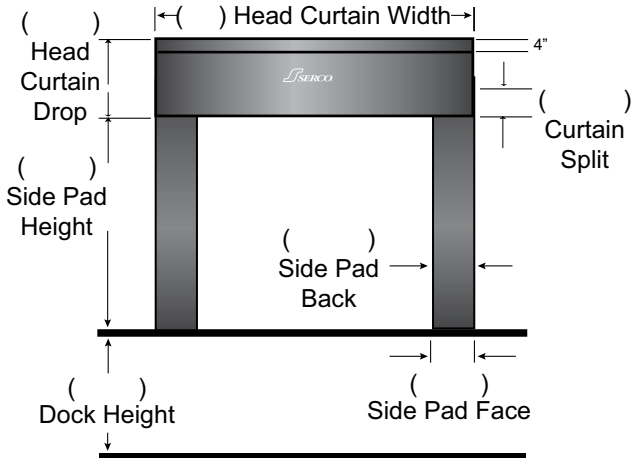
By \_\_\_\_\_  
Company \_\_\_\_\_  
Address \_\_\_\_\_  
Date \_\_\_\_\_



# Head Curtain Dock Seal

## SEAL AND SHELTER SPECIFICATIONS

MODEL S-700



### APPLICATION DATA

Door Opening Width: \_\_\_\_\_ ft. \_\_\_\_\_ in.  
 Door Opening Height: \_\_\_\_\_ ft. \_\_\_\_\_ in.  
 Dock Height: \_\_\_\_\_ ft. \_\_\_\_\_ in.  
 Bumper Protection\*: \_\_\_\_\_ in.

### TRUCKS AND TRAILERS SERVICED

Min. Width: \_\_\_\_\_ ft. \_\_\_\_\_ in.  
 Max. Height: \_\_\_\_\_ ft. \_\_\_\_\_ in.  
 Min. Height: \_\_\_\_\_ ft. \_\_\_\_\_ in.  
 Max. Protection: \_\_\_\_\_ in.

Drive/Approach  Level  Incline  Decline \_\_\_\_\_ % Grade

Please Check Box From Each Category:

QUANTITY \_\_\_\_\_

**Head Curtain Height:**  18"  24"  30"  36"  42"  48"  \_\_\_\_\_"

**Head Curtain Splits:**  12"  18"  24"  30"  36"  \_\_\_\_\_"

**Head Curtain Options:**  None  Pull Rope Assy.  O-Rings  2" Foam Front  Sectional Foam Front

**Side Pad Height:** \_\_\_\_\_"

**Side Pad Back/Face:**  6/10  8/12  10/12  12/12  12/15  8/15  6/14  10/18  8/23

**Base Fabric:**  22 oz. Vinyl  40 oz. Vinyl  16 oz. Hypalon®  40 oz. Hypalon®  XL-100

**Color Choice**  Black  Tan  Brown  Blue  Green

**Taper:**  No  Yes

**Top Projection:**  10"  12"  14"  16"  18"  20"  22"  \_\_\_\_\_"

**Bottom Projection:**  10"  12"  14"  16"  18"  20"  22"  \_\_\_\_\_"

**Block Out:**  None

**Block Out Projection:**  2"  4"  6"  8"  10"  12"  \_\_\_\_\_"

**Wear Pleats:**  None  4"  8"  16"  Head & Side Pads  Head Pad Corners Only

22 oz. Vinyl  40 oz. Vinyl  40 oz. Hypalon®  XL-100

Black  Tan  Brown  Blue  Green

**Wear Face:**  None  Head Curtain  Side Pad

22 oz. Vinyl  40 oz. Vinyl  25 oz. Urethane  40 oz. Hypalon®  XL-100

Black  Tan  Brown  Blue  Green

**Reinforced Inside Face:**  None  Side Pad 4"  Side Full Height

22 oz. Vinyl  40 oz. Vinyl  25 oz. Urethane  40 oz. Hypalon®  XL-100

Black  Tan  Brown  Blue  Green

**Options:** Bottom Flap Size:  3"  6"  \_\_\_\_\_" Bottom Flap Location:  Inside  Inside and Front  All Sides

Door Numbers  24" Guide Stripes  Flame Retardant Fabric  Flame Retardant Foam

**Mounting Brackets:**  Flats and Angles  1-1/2" Offsets and Angles  Angles

Ultra Seal and Serco Steel are trademarks of Serco. Hypalon is a trademark owned by E.I. DuPont de Nemours and Co. and is registered in the U.S. Patent and Trademark Office. Serco dock seals and shelters are covered by one or more U.S. Patents or U.S. Patents are pending.

1612 Hutton Drive, Suite 140 • Carrollton, TX 75006, USA • Tel: 800-933-4834 • Fax: 972-389-4769 • Email: sales@sercocompany.com • www.sercocompany.com

A continuing research program is in effect at Serco. We reserve the right to incorporate product improvement at any time without prior notice.

© 2010 4Front Engineered Solutions, Inc.



Form # SPS-SE70-0410