



## NOTICE

Pit Dimensional Tolerances are +/- 1/8" on squareness, Depth, Width and Length.  
 SERCO Assumes No Liability for Deviations beyond this Tolerance.

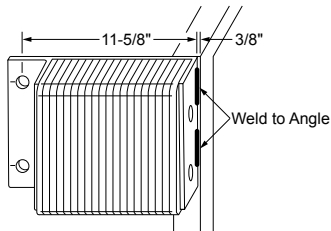
**DIMENSIONS BELOW ARE FOR ALL WL, WS, HL Series PIT TYPE LEVELERS OF 30-50K CAPACITIES.  
 FOR HD 60,000 LBS AND 80,000 LBS CAPACITY LEVELERS DIM "C" IS 24" AND DIM "D" IS 23 1/2" FOR ALL SIZES.  
 5', 6' & 8' LONG LEVELERS OF 30-50K CAN BE PLACED IN 24" DEEP PITS WITH OPTIONAL RISER KIT.**

MODEL	PIT DIMENSIONS				*CURB ANGLE LENGTHS (Qty.)				
	DIM "A"	DIM "B"	DIM "C"	DIM "D"	REAR (1)	FRONT (1)	SIDE (2)	FACE (2)	BUMPER (2)
5' x 6' †	51"	73"	20"	19 1/2"	79"	79"	48"	17"	Varies with application
6' x 6'	63"	73"	20"	19 1/2"	79"	79"	60"	17"	
8' x 6'	87"	73"	20"	19 1/2"	79"	79"	84"	17"	
10' x 6'	111"	73"	24"	23 1/2"	79"	79"	108"	21"	
12' x 6' †	135"	73"	24"	23 1/2"	79"	79"	132"	21"	
6' x 6'6"	63"	79"	20"	19 1/2"	85"	85"	60"	17"	
8' x 6'6"	87"	79"	20"	19 1/2"	85"	85"	84"	17"	
10' x 6'6"	111"	79"	24"	23 1/2"	85"	85"	108"	21"	
12' x 6'6" †	135"	79"	24"	23 1/2"	85"	85"	132"	21"	
6' x 7'	63"	85"	20"	19 1/2"	91"	91"	60"	17"	
8' x 7'	87"	85"	20"	19 1/2"	91"	91"	84"	17"	
10' x 7'	111"	85"	24"	23 1/2"	91"	91"	108"	21"	
12' x 7' †	135"	85"	24"	23 1/2"	91"	91"	132"	21"	

**\* NOTE - CURB ANGLES SUPPLIED BY OTHERS. † N/A ON MECHANICAL LEVELERS**

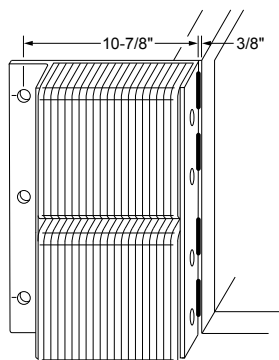
### PIT PROJECTION GUIDE FOR DECLINE DRIVE CONDITIONS

PERCENTAGE OF DRIVEWAY GRADE	0%	1%	2%	3%	4%	5%	6%	7%	8%	9%	10%
PIT PROJECTION	0"	2"	3"	4"	5"	6"	8"	9"	10"	11"	12"



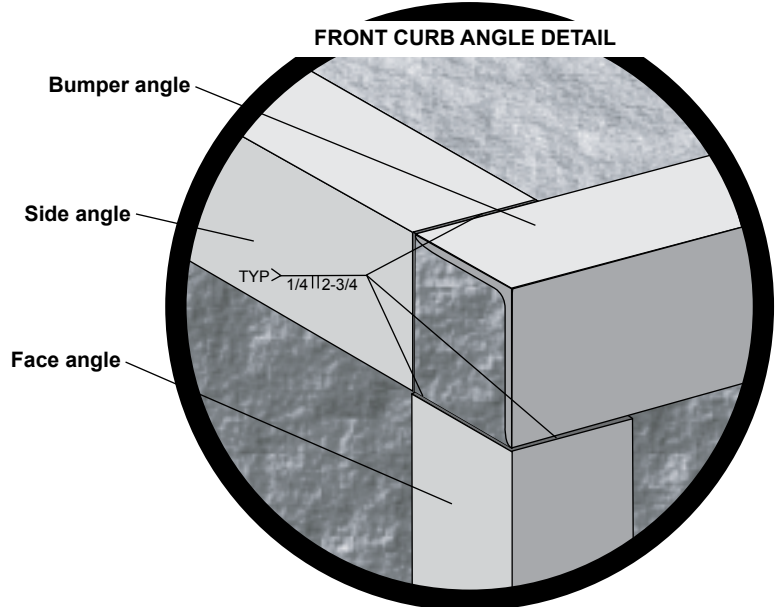
2 MODEL B410-14F LAMINATED BUMPERS - STANDARD FOR 30-50K

2 MODEL B610-14F LAMINATED BUMPERS - STANDARD FOR 60-80K



BUMPERS - OPTIONAL FOR 30-50K

2 MODEL VB620-11F LAMINATED BUMPERS - OPTIONAL FOR 60-80K



DISTRIBUTED BY: